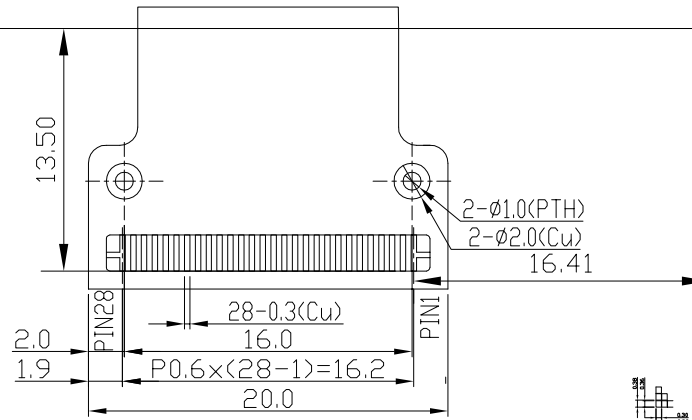


PIN ASSIGNMENT

PIN	SYMBOL	PIN	SYMBOL
1	CS1	15	VOUT
2	RES	16	CAP3P
3	A0	17	CAP1N
4	WR	18	CAP1P
5	RD	19	CAP2P
6	D0	20	CAP2N
7	D1	21	V4
8	D2	22	V3
9	D3	23	V2
10	D4	24	V1
11	D5	25	V0
12	D6(SCL)	26	C86
13	D7(SI)	27	P/S
14	VSS	28	VDD



Note:

- *1. LCD Display Type : STN-Blue, Negative,
- *2. Viewing Direction : 6H
- *3. Duty : 1/64; Bias : 1/9
- *4. Operating Voltage : 3.3V, VLCD = 9.6V
- *5. Operating Current : TBD
- *6. Operating Temperature : -20°C~70°C
- *7. Storage Temperature : -30°C~80°C
- *8. Control/Drive IC : ST7565R
- *9. Connector : COG/FPC

HOT DISPLAY

Dwg Title HTG12864R-25W-28K06 Outline			
Dwg No. 1202151028		Date 2012-02-15	
Scale	Unit mm	Tol. ±0.2	
Drawn Andy	Checked	Approved	